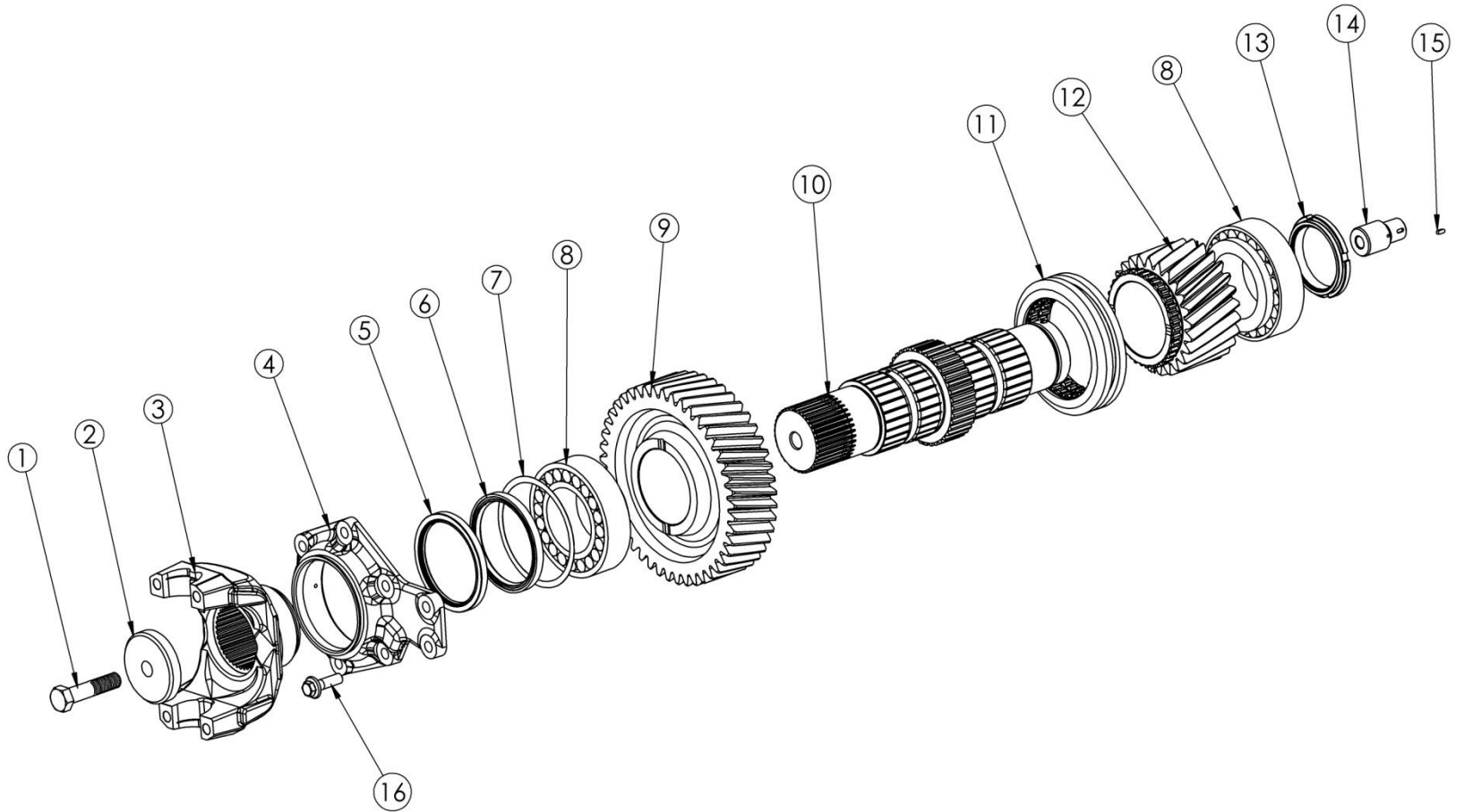


# INPUT SHAFT T60



Marmon-Herrington

